

Product Data Sheet

3-Series Smart Garage System

3220-G



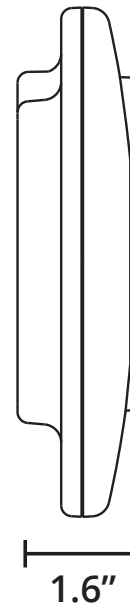
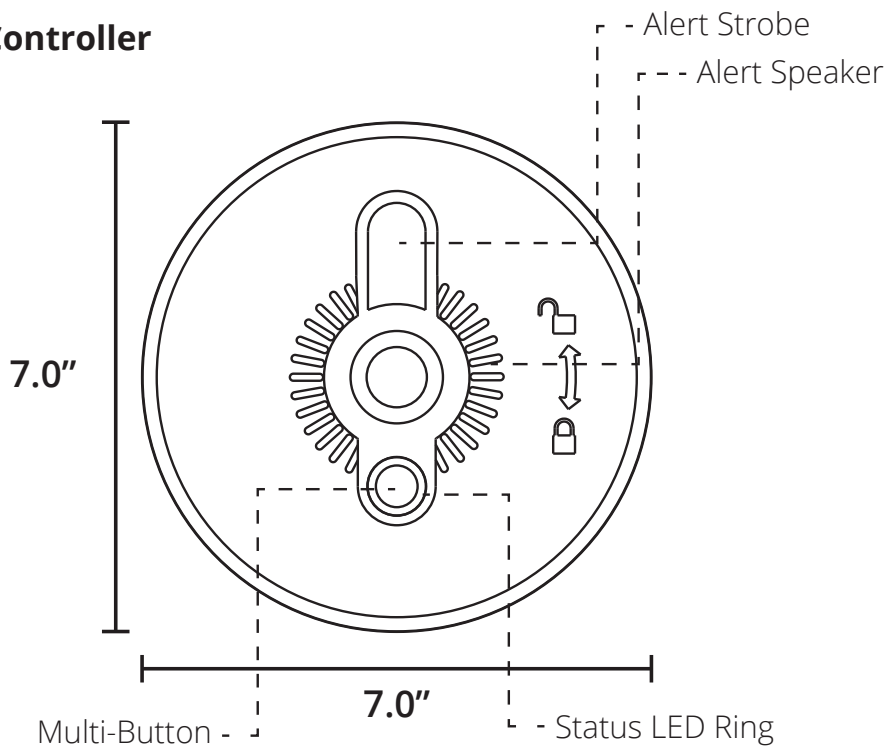
Last Updated: November 2016

Product Overview

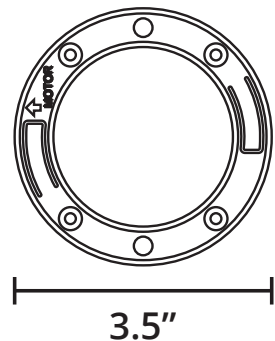
The 3-Series Smart Garage System gives users an unprecedented level of automated control to their garage door openers. The Smart Garage Controller enables users to remotely raise/lower the garage door as well as turn on/off built-in garage door lights (optional). The Smart Garage Sensor reports if the door is opened or closed and even what level the door is at if open. With onboard ZigBee HA 1.2 integration, the 3-Series Smart Garage System can trigger other devices in the connected home such as lighting scenes, text notifications, and events.

Dimensions

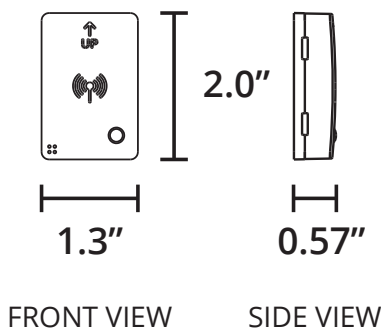
Controller



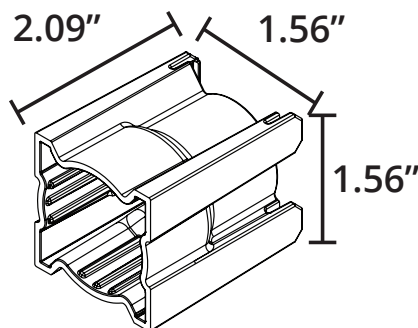
Mounting Bracket



Sensor



Torsion Bar Mount



In the Box:

1x - Garage Controller

1x - Garage Door Sensor

1x - Set of Control Wires

1x - Controller Mounting Bracket

1x - Sensor Mounting Bracket

1x - Set of Mounting Screws

1x - Quick Start Guide

Key Features:

- Open/Close functionality for garage doors
 - Door position sensing technology
 - Built-in power amplifier for exceptional range.
 - Reports open/close regardless of whether the motor was activated.
 - Alert strobe light and audible tone for safety.
 - Easy compatibility with other manufacturers' ZigBee HA 1.2 devices.
 - Built-in ZigBee repeater for extending the range of other ZigBee devices.
 - Multi-functional LED indicator.
 - Over-the-air firmware updates.
-

Use Cases

- Open and close your garage door while you're away.
- Automatically close your garage door at night.
- Trigger "welcome" and "goodbye" scenes.
- Send tamper alerts if the door is opened manually without the motor.
- Receive notifications if a garage door is opened or closed outside of scheduled "safe times."
- Easier and safer package deliveries.
- Sends blown light bulb alerts.

Automatically close your garage door at night.

You'll never forget to close your garage door again! The 3-Series Smart Garage System can be scheduled to close automatically at night and after you've left for work for those times you accidentally leave it open.

Trigger "welcome" and "goodbye" scenes.

Configure your connected home to automatically turn on lights, HVAC systems, and even your stereo system when you open your garage door when getting home from work. You can also configure your system to automatically turn off lights, HVAC, and appliances (like coffee pots and curling irons) as you're pulling out of your driveway during the morning.

Send break-in attempt alerts if the door is opened manually without the motor.

One in ten home break-ins are through garage doors. If your garage door is forced opened without motor activation, the 3-Series Smart Garage System can immediately alert you to a break-in attempt.

Easier and safer package deliveries.

Many people leave their garage doors opened 2 feet or less to receive packages they're expecting. With the 3-Series Smart Garage System, you can schedule the garage door to open to a few feet, then utilize a separate motion sensor to trigger the garage door to close after delivery.

Special Features

Super-bright LED Warning Lights and Audible Warning

For added safety when closing an unattended garage door, the 3-Series Smart Garage System emits a powerful audible warning tone and LED strobe light to warn anyone near the garage that it is about to close.

Position Sensing Technology (optional)

Using various types of sensors, the 3-Series Smart Garage Sensor tracks its position while the garage door is moving and when it is stationary. This makes the 3-Series Smart Garage System the only complete solution that includes this technology that's compatible with all garage door types.

ZigBee Home Automation 1.2 Compatibility

The 3-Series Smart Garage System is fully ZigBee HA 1.2 certified and is guaranteed to function with all open, ZigBee HA 1.2-certified hubs and devices.

Easy 2-Step Join Process

The Smart Garage System is factory-configured to search for open ZigBee networks the first time it is plugged in. Simply open the hub for joining, plug in the Smart Garage System, and the module will join the open network.

IMPORTANT SAFETY INSTRUCTIONS

- Install device in accordance with included instructions and local laws, building codes, and safety codes.
- If warning strobe light or audible indicator is not functioning correctly, immediately cease use of this device.
- To reduce the risk of electric shock, this equipment has a grounding type plug, that has a third (grounding) pin. This plug will only fit into a grounding type outlet. If the plug does not fit into the outlet, contact a qualified electrician to install the proper outlet. Do not change the plug in any way.
- To reduce the risk of injury to persons – Only enable remote open and close feature when installed with a sectional door.
- This device not is not equipped for permanent

wiring. Contact licensed electrician to install a suitable receptacle if one is not available.

WARNING!

To reduce the risk of severe injury or death:

- READ AND FOLLOW ALL INSTRUCTIONS
- Never let children operate or play with door controls. Keep the remote control away from children.
- This operator system is equipped with an unattended operation feature. The door could move unexpectedly. **NO ONE SHOULD CROSS THE PATH OF THE MOVING DOOR.**

SAVE THESE INSTRUCTIONS

Getting Started

Note: It is recommended that you complete the joining process before mounting the Smart Garage Controller. The Smart Garage Controller comes pre-joined to its Door Sensor.

Step 1: Open ZigBee Network for Joining

Using your hub's interface, enable the ZigBee network for joining.

Step 2: Plug-In Smart Garage Controller

Plug the Smart Garage Controller into a receptacle near or inside your garage and it will immediately begin searching for a network to join.

Step 3: Finish Joining at Hub (optional)

Some hubs and controllers require additional steps such as naming or categorizing the device.

Step 4: Unplug Smart Garage Controller

Remove the Smart Garage Controller from the receptacle. It's now time to mount the device in the garage.

Step 5: Install Mounting Bracket to Ceiling

Using the included anchors and screws, the controller bracket should be screwed into the garage ceiling (directly above the garage door motor) securely, using all three included mounting screws.

Step 6: Wiring

Using the included control wires, insert the wires first into the Smart Garage Controller quick-connect terminals, then insert or screw them into the garage door motor's control and light terminals. Now plug the Smart Garage Controller's power cord into the ceiling receptacle.

Step 7: Attach Smart Garage Controller

Fit the Smart Garage Controller into the mounting bracket and twist until it locks into place.

Step 8: Attach Smart Garage Sensor to Torsion Bar

Using the included mount, clip the Smart Garage Sensor into the mounting bracket. Slide the sensor mounting bracket onto the **torsion bar** of your garage door with the arrow pointing up. The installation is now complete.

Troubleshooting

Step 1: Check Power Status of Smart Garage Controller.

Ensure that the Smart Garage Controller's LED status ring is lit and blue. If not, ensure that power is getting to the receptacle.

Step 2: Reset and Rejoin Garage Controller

Remove the device from your hub or ZigBee controller and then open the hub for joining. Using an extension

ladder, unplug the Smart Garage Controller. Press and hold the Smart Controller's multi-button (center of the LED ring) while plugging the device back into the outlet. Release button when the blue LED light flashes. The Garage Controller will reset and attempt to rejoin the ZigBee Network.

Compatibility

The 3-Series Smart Garage System features out-of-the-box compatibility with any ZigBee HA 1.2-certified hub, controller, bridge, or platform.

Technical Specifications

Electrical

Controller Power: 120 VAC, 60Hz
Sensor Power: 1x CR-2450 Battery

Environmental

Operating Temperature: 0° to 40°C

Shipping / Storage

Temperature: -20° to 50°C
Humidity Range: 0 to 90% R.H.
(non-condensing)

Approvals:   

Wireless RF

Protocol: ZigBee HA 1.2
TX Strength: +18 dBm
RF Channels: 16
Range: 300+ ft. (90+ m) L.O.S.
Temp Accuracy: ±1.8 °C (max), -10 to 85 °C
Precision: ± 0.1 °C

Support

Centralite offers both Tier-1 and Tier-2 support structures to meet the needs of different customers. For those customers that provide existing, in-house support for systems, Centralite can serve as Tier-2 support specialists. For Centralite retail-branded products, Centralite provides direct Tier-1 support for all products.

Standard Warranty

Centralite offers a standard 12-month limited warranty on the 3-Series Smart Garage System.

Contact Sales

For more information about sales or distribution, please contact:

877-466-5483
+1 251-607-9119 (Int'l)
sales@centralite.com

Centralite Systems, Inc.
1701 Industrial Park Drive
Mobile, AL 36693
<http://centralite.com>

Notice: Any content, factual information, or specifications containing errors in this document are solely inadvertent and will be corrected upon discovery. Specifications for unreleased/planned products are subject to change.