

# Product Data Sheet

## 3-Series Motion Sensor (EU)

3305-Geu

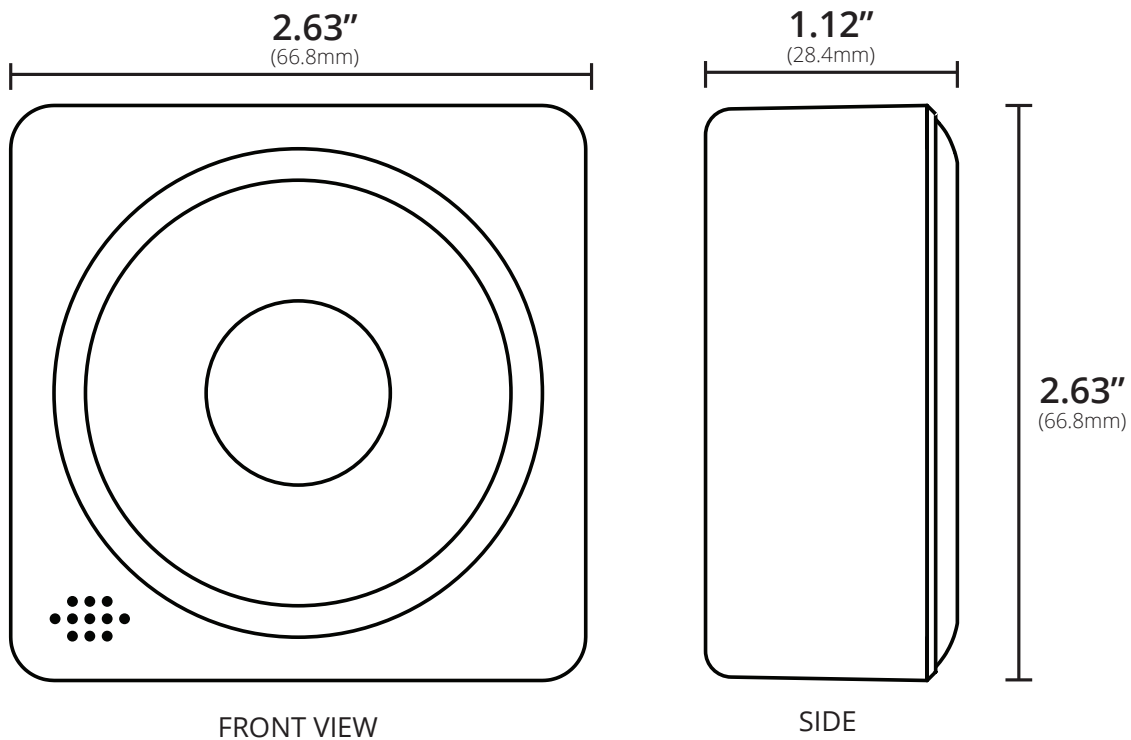
Centralite®

Last Updated: November 2018

### Product Overview

The 3-Series Motion Sensor adds both security and advanced home automation features to your connected home. You can be notified when there's movement in a certain area and even trigger lighting scenes, HVAC settings, and security alarms based on the detection of motion.

### Dimensions



### In the Box:

- 1x - 3-Series Motion Sensor
- 1x - Wall Mount Bracket
- 1x - CR-2 Battery
- 1x - Quick Start Guide

### Key Features:

- Easy-to-install mounting plate for sensor.
- Easy compatibility with other manufacturers' ZigBee HA 1.2 devices.
- Built-in temperature sensor
- Pull-to-pair joining process.
- Over-the-air firmware updates.

## Use Cases

- Save energy by turning off lights in areas that aren't being used.
- Receive alerts if motion is detected while you're away.

### **Save energy by turning off lights in areas that aren't being used.**

Energy is wasted any time lights are on in a room that isn't being used. By adding a 3-Series Motion Sensor to the room, your home can automatically turn off lights when there hasn't been activity for more than 15 or 30 minutes.

### **Create custom automatic flood light and entry scenes.**

Install the 3-Series Motion Sensor near the front door or garage to trigger "welcome" lighting scenes in

- Create custom automatic flood light and entry scenes.
- Use time-based motion triggers to light a path at night.

the home. Upon motion in a garage, the home can automatically turn on garage, hallway, living room, and outdoor flood lights.

### **Use time-based motion triggers to light a path at night.**

Combine the Motion Sensor with time-based rules to automatically dim lights low at night. For a late night trip to the kitchen or bathroom, the Motion Sensor can trigger lights to fade up to only 20%, saving your eyes from bright, harsh light.

---

## Special Features

### **Easy Mounting Options**

The 3-Series Motion Sensor can be installed using either adhesive strips or mounting screws (both included). The easy-to-install mounting plate attaches with a single screw and the sensor simply slides into place on the mount.

### **Pull-to-Pair Join Process**

All 3-Series sensors feature "pull-to-pair" joining. The device ships with the battery pre-installed and all that is needed to begin the joining process is to pull out a small plastic tab from the bottom of the device. There is nothing for the user to take apart or put back together.

### **ZigBee Home Automation 1.2 Compatibility**

The 3-Series Motion Sensor is fully ZigBee HA 1.2 certified and is guaranteed to function with all open, ZigBee HA 1.2-certified hubs and devices.

### **Superior Range and Updatibility**

The Motion Sensor also supports over-the-air updates providing for seamless upgrades and feature additions without the need for any user interaction.

---

## Getting Started

### **Step 1: Open ZigBee Network for Joining**

Using your controller or hub's interface, enable the ZigBee network for joining.

### **Step 2: Pull Tab from Bottom of Sensor**

Pull the small plastic tab out of the bottom of the sensor and it will immediately begin searching for a network to join.

### **Step 2: Finish Joining at Hub (optional)**

Some hubs and controllers require additional steps such as naming or categorizing the device.

---

## Troubleshooting

### **Step 1: Remove and Replace Battery from Device**

Remove cover from sensor. Remove battery and replace with a new CR-2 battery. Reassemble and test operation.

### **Step 2: Factory Reset and Rejoin**

Remove cover from sensor and remove battery. While holding down the reset button, reinsert battery to factory reset the device. Repeat the "Getting Started" steps to rejoin the ZigBee network.

## Compatibility

The 3-Series Motion Sensor features out-of-the-box compatibility with any ZigBee HA 1.2-certified hub, controller, bridge, or platform.

---

## Technical Specifications

### Power

Rated: 3V  
Battery: CR-2 (1x)  
Battery Life: 2 to 3 years

### Environmental

Operating Temperature: 0° to 40°C

### Shipping / Storage

Temperature: -20° to 50°C  
Humidity Range: 0 to 90% RH.  
(non-condensing)

### Approvals:



### Wireless RF

Protocol: ZigBee HA 1.2  
TX Strength: +8 dBm  
RF Channels: 16  
Range: 130+ ft. (40+ m) L.O.S.  
Temp Accuracy: ±1.8 °C (max), -10 to 85 °C  
Precision: ±0.1 °C

---

## Support

Centralite offers both Tier-1 and Tier-2 support structures to meet the needs of different customers. For those customers that provide existing, in-house support for systems, Centralite can serve as Tier-2 support specialists. For Centralite retail-branded products, Centralite provides direct Tier-1 support for all products.

---

## Standard Warranty

Centralite offers a standard 26-month limited warranty on the 3-Series Motion Sensor.

Additional mandatory warranty period in compliance with local law product is being sold.

---

## Contact Sales

For more information about sales or distribution, please contact:

877-466-5483  
+1 251-607-9119 (Int'l)  
sales@centralite.com

Centralite Systems, Inc.  
1701 Industrial Park Drive  
Mobile, AL 36693  
<http://centralite.com>

**Notice:** Any content, factual information, or specifications containing errors in this document are solely inadvertent and will be corrected upon discovery. Specifications for unreleased/planned products are subject to change.