

Product Data Sheet

3-Series 4-Button Key Fob (EU)

3450-eu

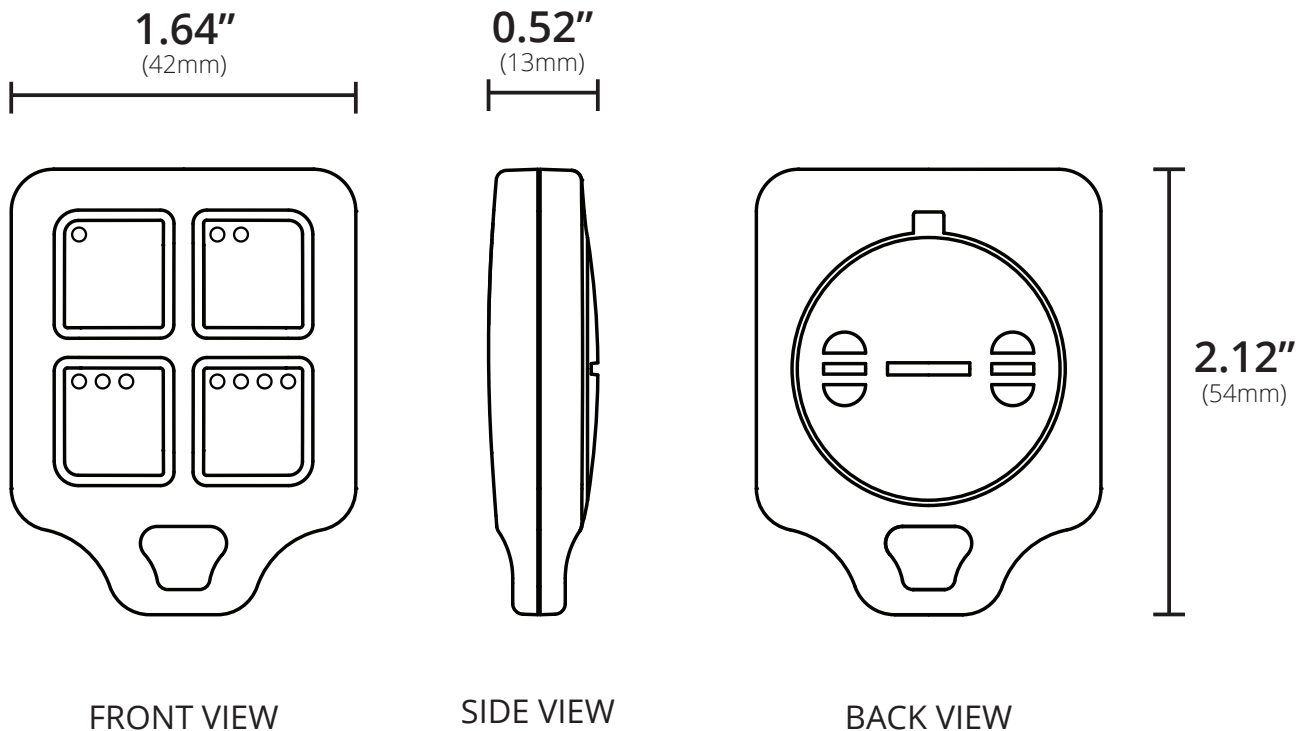


Last Updated: April 2016

Product Overview

The 3-Series 4-Button Key Fob can be personalized to arm security systems, illuminate scenes, and trigger events in your connected home system. Less than two inches wide, the 4-Button Key Fob can be attached to a key ring and transported around with ease. The 4-Button Key Fob fully supports ZigBee HA 1.2, giving it a wide range of compatible platforms and unlimited options for connected home control.

Dimensions



In the Box:

1x - 3-Series 4-Button Key Fob

1x - CR-2450 Battery

Key Features:

- Easy compatibility with other manufacturers' ZigBee HA 1.2 devices.
- Pull-to-pair joining process.
- Over-the-air firmware updates.

Use Cases

- Control smart bulbs from anywhere in the home.
- Trigger special scenes with ease.
- Arm your security system from anywhere
- Send notifications to family members.

Control smart bulbs from anywhere in the home.

The 4-Button Key Fob can be configured to control smart LED bulbs, giving users options to add a light switch nearly anywhere without the need for wiring.

Trigger special scenes with ease.

Your house can now welcome you home as you return from work and conserve energy while you're away. Use the 4-Button Key Fob as you leave in the morning to put thermostats in deep setback and turning off unnecessary lighting.

Arm your security system from anywhere.

No need to worry anymore about if you forgot to arm the security system. With the touch of a button the 4-Button Key Fob can quickly arm your system from anywhere within the home environment.

Send notifications to family members.

The 4-Button Key Fob can notify family or love ones when you enter or leave your house, giving them comfort and peace of mind.

Special Features

ZigBee Home Automation 1.2 Compatibility

The 3-Series 4-Button Key Fob is fully ZigBee HA 1.2 certified and is guaranteed to function with all open, ZigBee HA 1.2-certified hubs and devices.

Superior Range and Updatability

The 4-Button Key Fob supports over-the-air updates providing for seamless upgrades and feature additions without the need for any user interaction.

Getting Started

Step 1: Open ZigBee Network for Joining

Using your controller or hub's interface, enable the ZigBee network for joining.

Step 2: Pull Tab from Side of Device

Using the battery and battery cover included in the box, insert the CR-2450 battery and cover into the back of the device. Using a coin, twist the battery cover clockwise to close.

Step 2: Finish Joining at Hub (optional)

Some hubs and controllers require additional steps such as naming or categorizing the device.

Troubleshooting

Step 1: Remove and Replace Battery from Device

Using a coin, twist the rear battery door counter-clockwise to detach. Remove battery and replace with a new CR-2450 battery. Reassemble and test operation.

Step 2: Factory Reset and Rejoin

Remove battery. While holding down any button, reinsert battery and continue to hold for two seconds, then release button. This will factory reset the device. Repeat the "Getting Started" steps to rejoin the ZigBee network.

Compatibility

The 4-Button Key Fob features out-of-the-box compatibility with any ZigBee HA 1.2-certified hub, controller, bridge, or platform.

Technical Specifications

Power

Rated: 3V
Battery: CR-2450 (1x)
Battery Life: Up to 2 years

Environmental

Operating Temperature: 0° to 40°C

Shipping / Storage

Temperature: -20° to 50°C
Humidity Range: 0 to 90% RH.
(non-condensing)

Approvals:  

Wireless RF

Protocol: ZigBee HA 1.2
TX Strength: +3 dBm
RF Channels: 16
Range: 130 ft. (40m) LOS

Support

Centralite offers both Tier-1 and Tier-2 support structures to meet the needs of different customers. For those customers that provide existing, in-house support for systems, Centralite can serve as Tier-2 support specialists. For Centralite retail-branded products, Centralite provides direct Tier-1 support for all products.

Standard Warranty

Centralite offers a standard 26-month limited warranty on the 3-Series 4-Button Key Fob.

Additional mandatory warranty period in compliance with local law product is being sold.

Contact Sales

For more information about sales or distribution, please contact:

North America

Sean Bryant, VP Sales & Marketing
877-466-5483
+1 251-607-9119 (Int'l)
seanbryant@Centralite.com

Centralite Systems, Inc.
1000 Cody Road
Mobile, AL 36695

www.Centralite.com

International

Marco Dorjee
International Business Development
Office: +31 (0)20 893 2532
Mobile: +31 (0)62 900 3903
marcodorjee@Centralite.com

Notice: Any content, factual information, or specifications containing errors in this document are solely inadvertent and will be corrected upon discovery. Specifications for unreleased/planned products are subject to change.