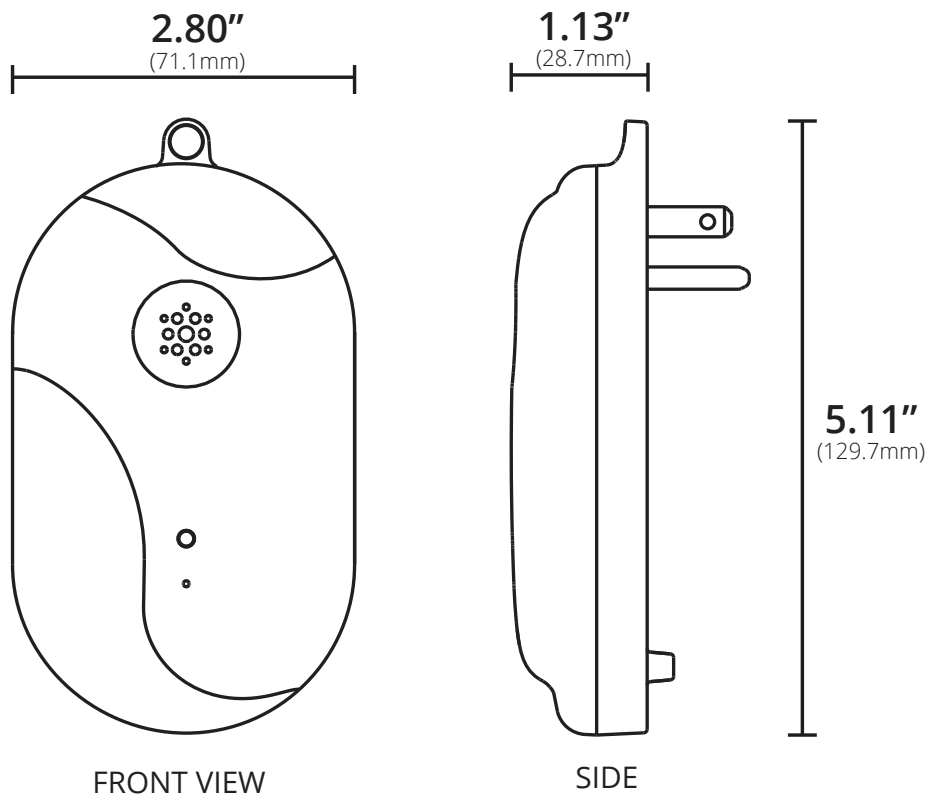


Product Overview

Centralite's Smoke Listener uses technology that listens for the frequency of a standard smoke detector's audible alerts. This revolutionary innovation provides an easy and cost effective solution for homeowners wanting to add smoke detection to their homes without the expense and headache of replacing existing smoke detection systems. This device can also function as a battery powered repeater for other devices in the home in the event of a power outage.

Dimensions



In the Box:

1x - Smoke Listener
1x - Quick Start Guide

1x - Security Screw

Key Features:

- Listens for T-3 signals produced by standard smoke detectors.
- Built-in power amplifier for exceptional range.
- Battery backed up lithium ion battery provides repeating functionality for over 24 hours.
- Built-in temperature sensor
- Tri-Color Status LED
- Easy compatibility with other manufacturers' ZigBee HA 1.2 devices.
- Over-the-air firmware updates.

Use Cases

- Add smoke detection and alerts to your connected home.
- Extend the range of your existing ZigBee devices.
- Battery backed up repeating in case of power outages.

Add affordable and easy-to-install smoke detection and alerts to your connected home.

The Smoke Listener provides a low-cost solution for connected home smoke detection that doesn't require replacing expensive equipment or complex installation. Installation consists of simply plugging in the device to an outlet near existing smoke detectors.

Battery backed up repeating in case of power outages.

The Smoke Listener is equipped with a self-charging lithium ion battery that provides power for operation for over 24 hours after loss of power.

Extend the range of your existing ZigBee devices.

The Smoke Listener can rebroadcast ZigBee commands to extend the range of your existing ZigBee devices—even during power outages. It's the perfect solutions for larger homes and connecting distant rooms or areas.

Special Features

Battery Backup

With an internal lithium ion rechargeable battery, the Smoke Listener continues to protect your home, even during power outages. The Smoke Listener continues to monitor for smoke detectors and repeat ZigBee commands for over 24 hours after loss of power.

ZigBee Repeating

Large homes and homes with distant rooms are often afflicted with low signal in some areas. The Smoke Listener rebroadcasts incoming ZigBee commands, extending network range by as much as 100 feet.

Tamper-Resistant Design

The Smoke Listener is equipped with multiple tamper switches and can be permanently attached to an outlet using the included security screw. This prevents

accidental removal or dislodging of the device from an outlet.

Easy 2-Step Join Process

The device is factory-configured to search for open ZigBee networks the first time it is plugged in. Simply open the hub for joining, plug in the Smoke Listener, and the device will join the open network.

ZigBee Home Automation 1.2 Compatibility

The Smoke Listener is fully ZigBee HA 1.2 certified and is will function with all open, ZigBee HA 1.2-certified hubs and devices.

Updatibility

The Smoke Listener also supports over-the-air updates providing for seamless upgrades and feature additions without the need for any user interaction.

Getting Started

Step 1: Open ZigBee Network for Joining

Using your controller or hub's interface, enable the ZigBee network for joining.

Step 2: Plug-In Night Light Repeater

Plug the Night Light Repeater into a receptacle and it will immediately begin searching for a network to join.

Step 2: Finish Joining at Hub (optional)

Some hubs and controllers require additional steps such as naming or categorizing the device.

Troubleshooting

Step 1: Unplug Repeater from Receptacle

Begin by unplugging the device from the wall receptacle. Then plug it in again and test operation.

Step 2: Factory Reset and Rejoin

Unplug device from wall. Now, depress the reset button by inserting a paperclip into the reset hole while plugging it back into the wall. Release the button after the status LED turns on. Repeat the "Getting Started" steps to rejoin the ZigBee network.

Compatibility

The Smoke Listener features out-of-the-box compatibility with any ZigBee HA 1.2-certified hub, controller, bridge, or platform.

Technical Specifications

Electrical

Rated: 120 VAC, 60Hz

Environmental

Operating Temperature: 0° to 40°C

Shipping / Storage

Temperature: -20° to 50°C
Humidity Range: 0 to 90% RH.
(non-condensing)

Approvals:   

Wireless RF

Protocol: ZigBee HA 1.2
TX Strength: +20 dBm
RF Channels: 16
Range: 300+ ft. (90+ m) L.O.S.
Temp Accuracy: ±0.4 °C (max), -10 to 85 °C

Support

Centralite offers both Tier-1 and Tier-2 support structures to meet the needs of different customers. For those customers that provide existing, in-house support for systems, Centralite can serve as Tier-2 support specialists. For Centralite retail-branded products, Centralite provides direct Tier-1 support for all products.

Standard Warranty

Centralite offers a standard 12-month limited warranty on the Smoke Listener.

Additional mandatory warranty period in compliance with local law product is being sold.

Contact Sales

For more information about sales or distribution, please contact:

North America

Sean Bryant, VP Sales & Marketing
877-466-5483
+1 251-607-9119 (Int'l)
seanbryant@Centralite.com

Centralite Systems, Inc.
1000 Cody Road
Mobile, AL 36695

www.Centralite.com

International

Marco Dorjee
International Business Development
Office: +31 (0)20 893 2532
Mobile: +31 (0)62 900 3903
marcodorjee@Centralite.com

Notice: Any content, factual information, or specifications containing errors in this document are solely inadvertant and will be corrected upon discovery. Specifications for unreleased/planned products are subject to change.